

Advanced baling for a better environment

TT450 and TT550 mill-size balers

Tony Team balers are simple and easy to use and represent excellent value for money. They provide a cost-effective means of removing card, plastic and other recyclable material from the waste stream and landfill, increasing recycling output and improving waste management.

The TT450 and TT550 handle high volumes of cardboard and polythene, compressing into mill-size bales which will provide an additional income stream. A special long ram TT450 is also available for baling PET bottles.

Key Features

- Simple and safe to use
- Extremely quiet
- Ideal for large volumes
- Produces a mill size bale
- 5-wire tying for a secure bale
- Fully automated bale ejector
- Retaining claws to prevent spring back

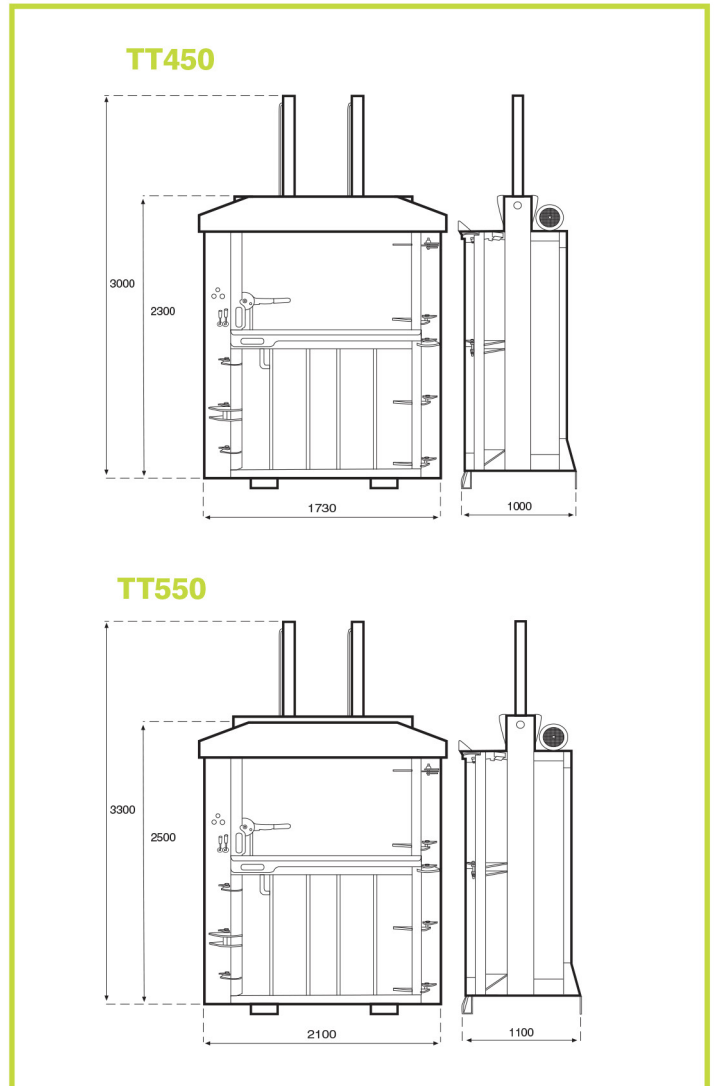


Total Waste Handling Solutions
for a Better Environment



Technical Specifications

	TT450	TT550
Cycle time	Approx 40 seconds	Approx 40 seconds
Bale dimensions	1000mm H x 1200mm W x 800mm D	1500mm H x 760mm W x 1200mm D
Bale weight	Up to 450 kg (dependent on material)	Up to 500 kg (dependent on material)
Baler dimensions	3000mm H x 1730mm W x 1000mm D (Transportation height 2300mm)	3300mm H x 2100mm W x 1100mm D (Transportation height 2500mm)
Weight	1300 kg	1650 kg
Pressing force	Up to 25 tonnes	Up to 50 tonnes
Loading aperture sizes	660mm H x 1200mm W	800mm H x 1500mm W
Power supply	400 Volts 3 phase earth and neutral 32 amp C rated MCB	400 Volts 3 phase earth and neutral 32 amp C rated MCB
Motor	11kW 32Amp	11kW 32Amp
Noise level	75 decibels	74 decibels



Unit 5, Station Road, Bakewell,
Derbyshire DE45 1GE.
Tel: 01629 813859 Fax: 01629 814334
Email: sales@tonyteam.co.uk
www.tonyteam.co.uk

Total Waste Handling Solutions for a Better Environment



FM 41544

In view of Tony Team's policy of continual improvement, we reserve the right to alter or amend any product specification or detail contained within this brochure.



Expertise and innovation

Tony Team's enviable reputation has been built on excellence of product quality backed-up by the highest levels of customer service. For over 30 years we have been sharpening the leading edge of compactor and baling technology to bring you the most reliable and cost-effective waste management solutions.